

Technical Manual

S1S-EX Synthesis One/Hercules



ACOUSTIC & ELECTRICAL SPECIFICATIONS:

- Nominal Impedance 8Ω
- Max Amp Power 800 watts*
- Frequency Response 20Hz – 200Hz
- Sensitivity 97dB @ 50Hz

SYSTEM COMPONENTS:

- Low-Frequency Transducer 2242HPL 18" (457mm)
Cone transducer
301361-003
- DC Resistance 4.7 ohms ±10%

AURAL SWEEP TEST SPECIFICATIONS:

- L.F. Aural Sweep Test 15.0V Input 16Hz to 250Hz

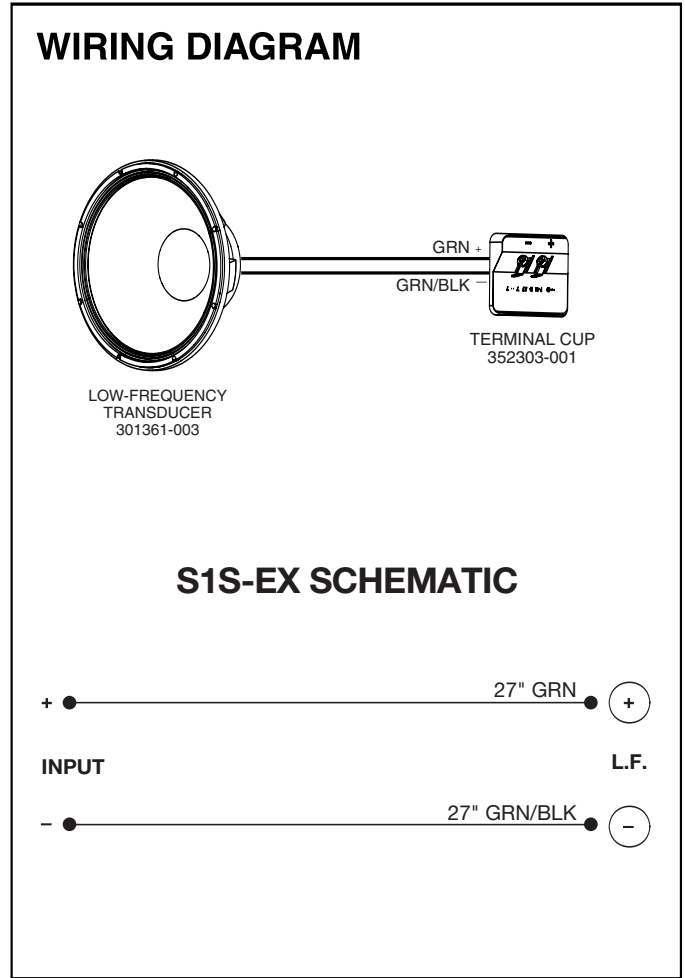
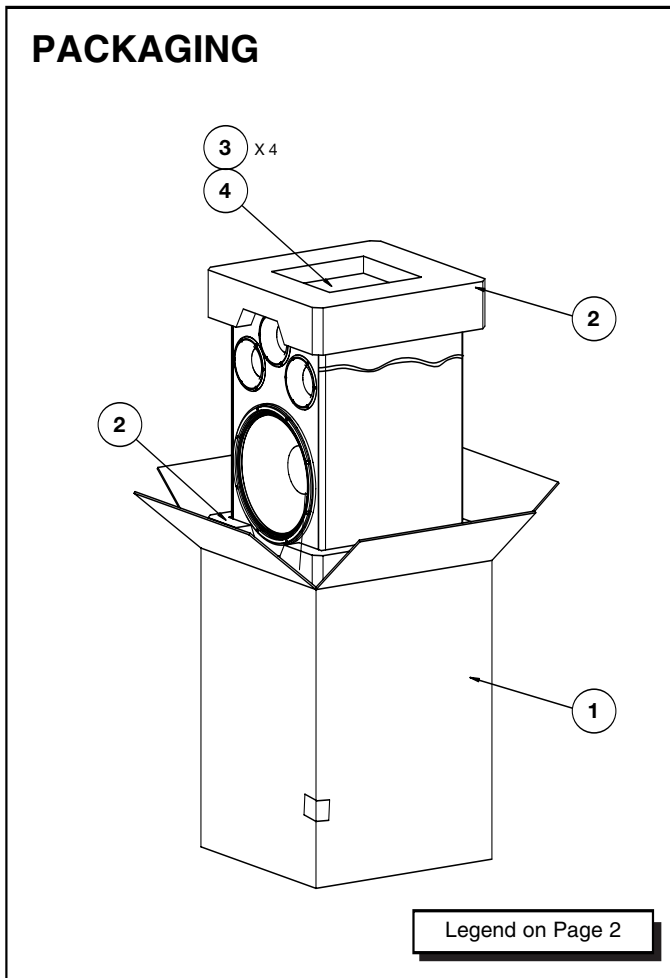
PHYSICAL SPECIFICATIONS:

- Enclosure Dimensions 34-1/2" x 21" x 22"
(H x W x D)
(876mm x 533mm x 559mm)
plus knobs
- Weight 129 lb (58.5kg) Each

WARRANTY:

- Refer to Warranty Statement packed with each product.

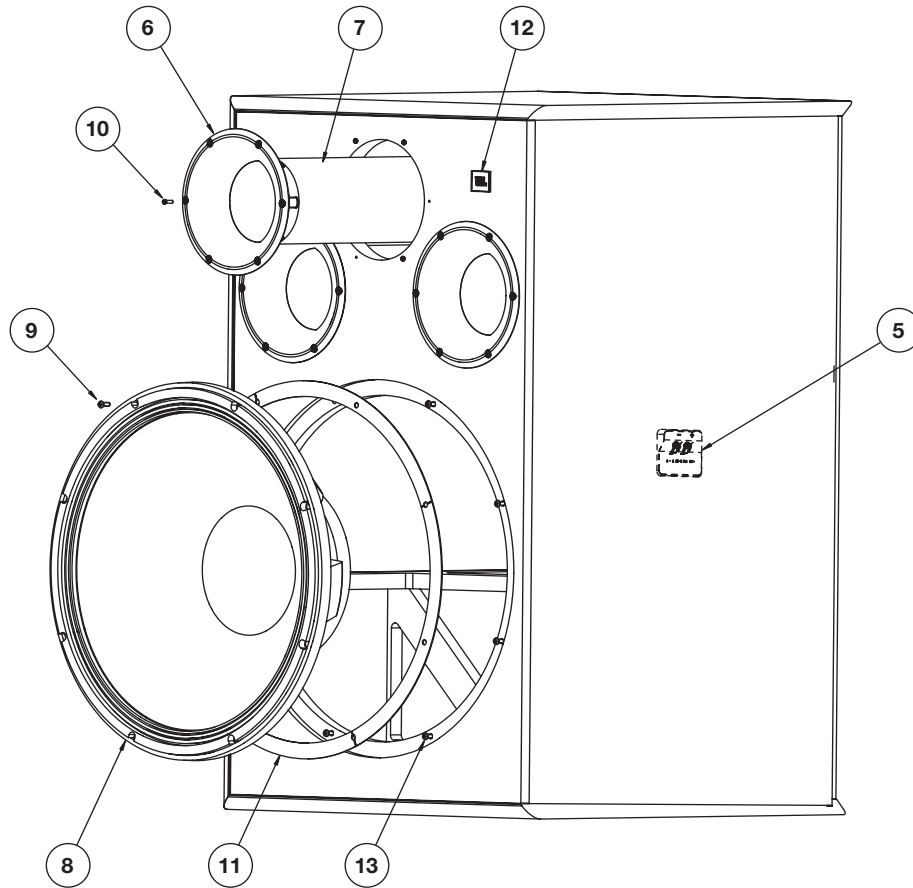
* The maximum recommended amplifier power rating will ensure proper system headroom to allow for occasional peaks. We do not recommend sustained operation at these maximum power levels.



S1S-EX Synthesis One/Hercules

S1S-EX Synthesis One/Hercules

EXPLODED VIEW



ITEM NO.	DESCRIPTION	QTY.	PART NO.	ITEM NO.	DESCRIPTION	QTY.	PART NO.
1.	Master Carton S1S-EX	1	352304-001	9.	Screw (woofer)	8	804-01110-20
2.	End Pad, Top and Bottom	2	352612-001		10-32 x 1 1/4, FIL, PH, BLK ZINC, LCS		
3.	Glide, 3/4" Dia x 3/8"H Black	4	72370	10.	Screw (port tube/term cup)	22	903401-012
4.	5 Year Warranty	1	338322-001		6 x 3/4, PAN, PH, PB, BLK ZINC, LCS		
5.	Terminal Cup Wire Assembly 12AWG	1	352303-001	11.	Woofer Gasket, 2240H	4	60578
6.	Port, Flare	6	352336-001	12.	JBL Logo Plate	1	48003-01
7.	Port Tube, Plstc	3	352337-001	13.	Woofer T-Nut	8	61861
8.	Woofer	1	301361-003		10-32x7/16, Step Barrel		

S1S-EX Synthesis One/Hercules